



$U_m=250V$ AC/DC

1 2 3 4

$U_o=10.5V$ $I_o=11.3mA$ $P_o=29.7mW$

	C	B	A
C_o	0.97 μF	11 μF	52 μF
L_o	100mH	300mH	700mH

DCS PLC

1mA 1



3000 V AC /

[Ex ia Ga] C

1500 V AC /

NAMUR

/ /

>2.1m 1

EMC IEC61326 3

<1.2m 0

1K



8.5mA

8.5V

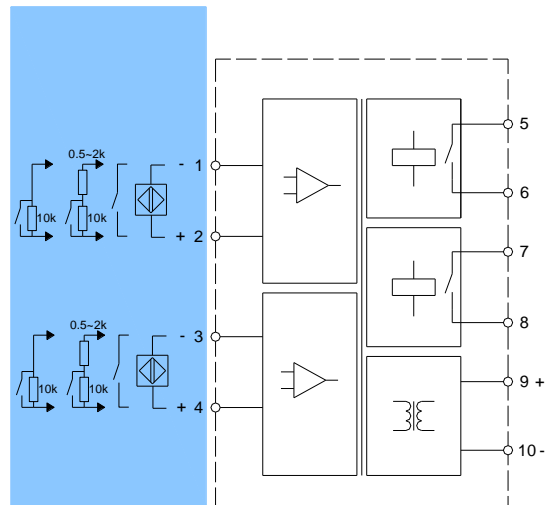
LFD

80

6mA

2A/250VAC, 2A/30VDC

<20ms



10

<10Hz

1.0W

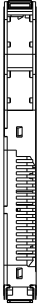
18V DC 32V DC

24V DC)

:

(12.7mm 110mm 118.9mm)

IEC61000-4



PWR

OUT1 OUT2

20 +60

10%RH 90%RH 40

80kPa 106kPa

40 +80

35mm

